

## ACCESSORIES

### Baffles, Baffle Plates & Contour Discs

Leeds Valve are world leaders in the manufacture and supply of butterfly valve solutions for niche applications in many diverse industries including oil and gas, LNG, power generation, industrial gas and naval marine, in materials from carbon steel to aluminium bronze, stainless steel and titanium.

#### Loose Baffle Plates

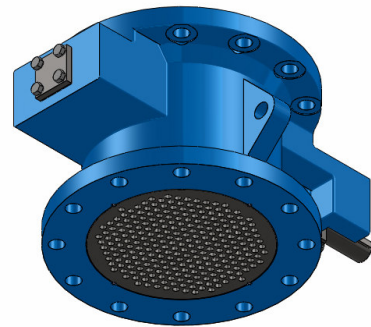
Baffle plates or noise diffusers can be supplied as a loose item to be fitted down steam from the modulating valve.

They are used to achieve noise attenuation by creating a back pressure and thus decreasing the pressure drop across the valve. A number of baffles may be used in series, splitting the pressure drop, thus increasing the pressure recovery factor. The baffle plate has a fixed Cv figure and is particularly useful when the flow is relatively constant.



#### Integral Baffles Valve Mounted

Baffles can be fitted in the outlet of the Leeds Valve by extending the face to face to allow free rotation of the valves disc. Integral valve baffles are often fitted in conjunction with a full “ANTI-CAV” trim giving a maximum noise attenuation and resistance to cavitation.



#### Concentric Contour Disc

The Leeds contour disc gives extended rangeability by increasing the turbulence and flow forces around the valve disc. Less complex than the “ANTI-CAV” trim the contour disc gives improved stability where cavitation and noise are not likely to be a problem.

