

VULCANISED RUBBER LINED BUTTERFLY VALVE

DN50 – DN1800 (2" – 72")

Leeds Valve are world leaders in the manufacture and supply of butterfly valve solutions for niche applications in many diverse industries including oil and gas, LNG, power generation, industrial gas and naval marine, in materials from carbon steel to aluminium bronze, stainless steel and titanium.

Description

The Leeds Valve vulcanised rubber lined valves employ the very latest bonding techniques to ensure a totally reliable and permanent body to liner bond. Push fitting liners are prone to distortion which gives uneven wear and may lead to the valve jamming in service.

The vulcanised liner does not distort, the operating torque remains unchanged and the life in service is extended. A carefully designed disc edge profile ensures minimum torque and again helps to extract the maximum operational seat life. With bi-directional tight shut off the construction can also operate under full vacuum.

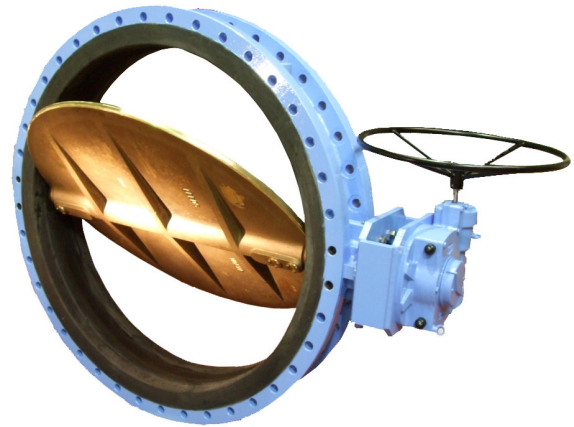
Particularly suited for service with corrosive fluids, the use of a suitable liner material enables a lower grade body material to be used reducing the overall cost.

Liners currently available are Nitrile, Neoprene and Ethylene Propylene covering a temperature range from -30°C to +120°C. Leeds Valve is always considering new materials as they become available.

The valves are available to suit all common flange standards e.g. BS4504, ANSI 150 with wafer, lugged and double flanged body types offered.

Accepting operating pressures from vacuum to 20 bar depending on valve size, the vulcanised liner enables the valve to tolerate higher fluid velocities than would be acceptable in a loose lined valve.

Available in sizes from 50mm to 1800mm the Leeds Vulcanised Rubber lined valve is an economical, versatile valve for control and isolating service and can be fitted with the Leeds "ANTI CAV" trim. Non standard and larger sizes are available on request.



VULCANISED RUBBER LINED BUTTERFLY VALVE

DN50 – DN1800 (2" – 72")

Technical Standards

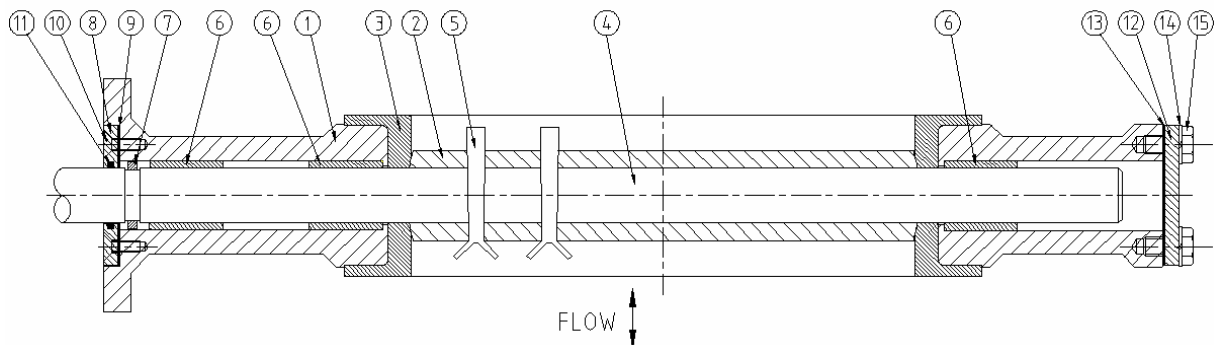
- **Design:** API 609, BS 5155, MSS SP68
- **Pressure Testing:** API 598, BS 6755 Part 1, FCI 70-2
- **Wall Thickness:** ANSI B16.34
- **Face To Face Dimensions:** BS5155, API 609, DIN 3202, ISO 5752
- **Quality Assurance:** ISO 9001:2008

Materials

	Description	Qty	Material				
			Stainless Steel	Ductile Iron	Cast Iron	Carbon Steel	Ali-Bronze
1	Body	1	ASTM A351 CF8M	Ductile Iron	BS 1452 GR 250	ASTM A216 WCB	BS 1400 AB2
2	Disc	1	ASTM A351 CF8M	ASTM A351 CF8M	ASTM A351 CF8M	ASTM A351 CF8M	BS 1400 AB2
3	Rubber Liner	1	EPDM	EPDM	EPDM	EPDM	EPDM
4	Shaft	1	ASTM A564 17/4	ASTM A276 316	ASTM A276 316	ASTM A564 17/4	BS 3076 NA18
5	Taper Pin*	2	ASTM A564 17/4	ASTM A276 316	ASTM A276 316	ASTM A564 17/4	BS 3076 NA18
6	Bearing	3	Glacier	Glacier	Glacier	Glacier	Glacier
7	Split Ring	1	ASTM A564 17/4	ASTM A276 316	ASTM A276 316	ASTM A564 17/4	BS 3076 NA18
8	Retainer Plate	1	ASTM A276 316	ASTM A276 316	ASTM A276 316	ASTM A276 316	NES 833
9	Retainer Gasket	1	Graphite	Graphite	Graphite	Graphite	Graphite
10	C/Sunk Screw*	4	ASTM A193 B8M	ASTM A193 B7 GALV	ASTM A193 B7 GALV	ASTM A193 B7 GALV	ASTM A193 B8M
11	O Ring	1	EPDM	EPDM	EPDM	EPDM	EPDM
12	Blank End Plate	1	ASTM A240 316	ASTM A240 316	ASTM A240 316	ASTM A240 316	ASTM A240 316
13	B E Gasket	1	Graphite	Graphite	Graphite	Graphite	Graphite
14	Hex Head Screw*	4	ASTM A193 B8M	ASTM A193 B7 GALV	ASTM A193 B7 GALV	ASTM A193 B7 GALV	ASTM A193 B8M
15	Spring Washer*	4	BS 6105 304 A2	BS 6105 304 A2	BS 6105 304 A2	BS 6105 304 A2	BS 6105 304 A2

Valve in closed position

Note: * items quantity may differ between sizes



VULCANISED RUBBER LINED BUTTERFLY VALVE

DN50 – DN1800 (2" – 72")

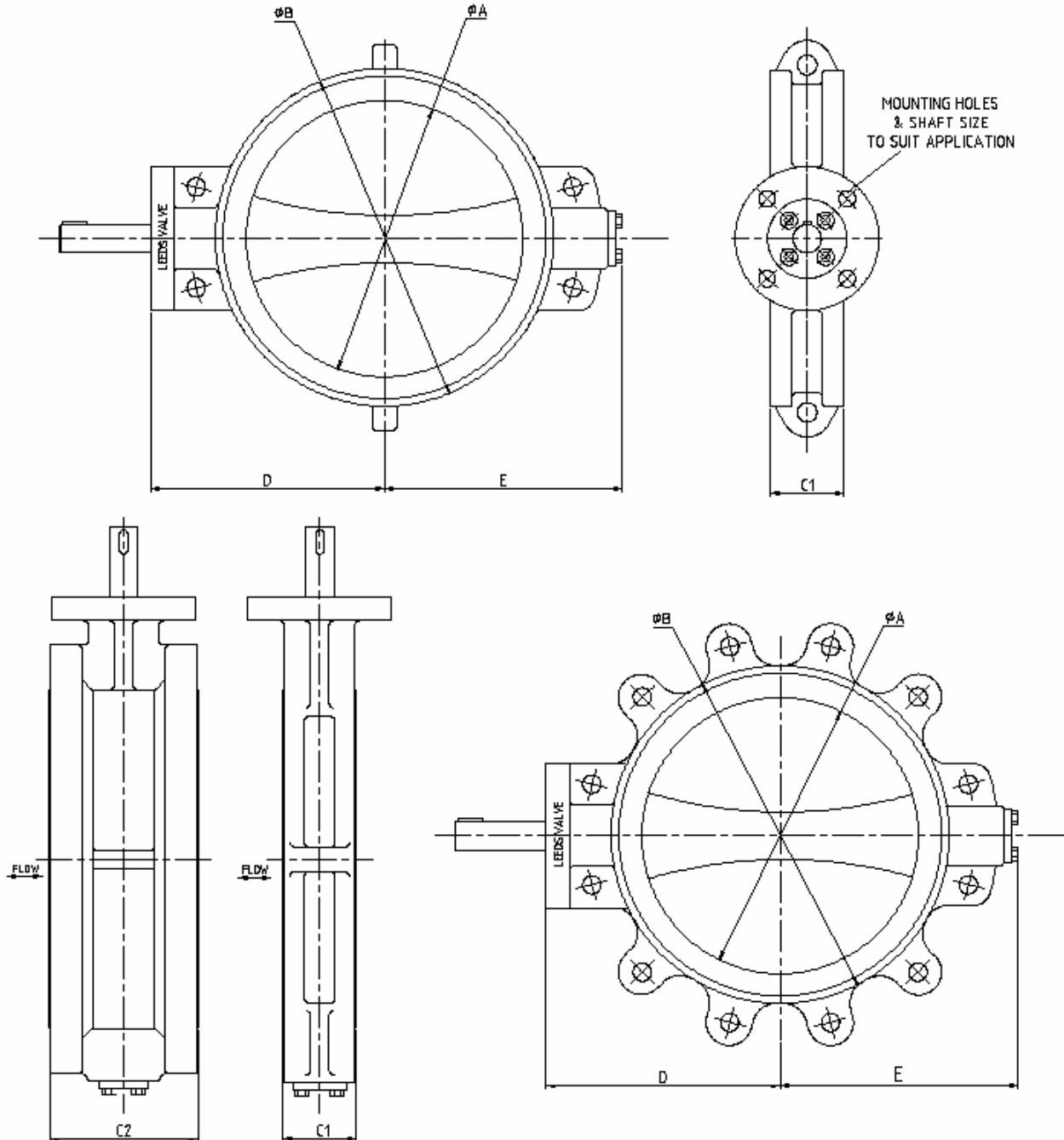
Dimensions

ANSI 150

Valve Size (mm)	A	B	C1	C2	D	E
50	50	93	43	108	115	100
80	80	127	46	114	135	130
100	100	157	52	127	155	140
125	125	186	56	140	177	163
150	150	216	56	140	190	175
200	200	270	60	152	223	227
250	250	324	68	165	253	245
300	300	381	78	178	293	290
350	350	413	78	190	325	320
400	400	470	102	216	378	337
450	450	533	114	222	398	357
500	500	584	127	229	435	400
600	600	692	154	267	498	460
700	700	800	165	292	565	510
750	750	858	165	318	595	538
800	800	914	190	318	660	580
900	900	1023	200	330	690	665
1000	1000	1124	216	410	760	725
1200	1200	1359	254	470	880	805
1400	1400	1575	On Request	530	1030	953
1500	1500	1677	On Request	On Request	1090	1010
1600	1600	On Request	On Request	600	On Request	On Request
1800	1800	On Request	On Request	670	On Request	On Request

VULCANISED RUBBER LINED BUTTERFLY VALVE

DN50 – DN1800 (2" – 72")



VULCANISED RUBBER LINED BUTTERFLY VALVE

DN50 – DN1800 (2" – 72")

CV Values

Nominal bore	0°	10°	20°	30°	40°	50°	60°	70°	80°	90°
50	0.6	2.4	8.6	17	29	48	74	106	148	184
65	1	3.8	13.6	27	47	77	119	173	242	297
80	1.3	5.6	17	35	64	107	176	282	442	552
100	2.3	9	28	61	111	184	294	423	552	606
125	3.8	13.7	44	97	175	285	463	685	940	1084
150	5.3	19.6	65	141	254	422	669	991	1398	1635
200	9.5	36	126	265	469	773	1197	1743	2194	2415
250	14.5	58	206	428	750	1231	1894	2743	3433	3780
300	21	87	307	630	1097	1793	2782	4042	5323	5869
350	27	107	381	787	1375	2257	3475	5040	6658	7014
400	36	142	514	1050	1837	2997	4620	6709	8620	9492
450	45	184	667	1358	2356	3760	5869	8446	10374	11445
500	56	222	807	1651	2871	4605	7198	10400	12978	14280
600	88	338	1207	2446	4231	6898	10636	15424	20055	22050
700	111	450	1619	3284	5689	9185	14334	20723	28133	29421
750	127	525	1893	3843	6661	10710	16800	24255	31185	34335
800	145	593	2147	4349	7529	12159	19005	27531	36364	49590
900	186	752	2740	5528	9555	15540	24150	35175	48510	54285
1000	243	1000	3510	7110	12300	20100	31300	45700	63100	70800
1200	335	1386	4920	9922	17115	27930	43470	63525	88095	100065
1400	452	1863	6651	13340	23042	37485	58267	85003	117527	133072
1500	525	2136	7665	15540	26880	43890	68670	99960	139020	159600
1600	606	2490	8960	18100	31260	50900	79600	115800	160800	183700
1800	760	3223	11413	22858	38375	64050	100033	145530	202020	231840

For Cv figures for larger valves or valves of a higher pressure rating, please contact the sales department.

All dimensions / weights are approximate. The information on this data sheet is accurate to the best of Leeds Valve's knowledge; however we reserve the right to alter the product specification at any time.